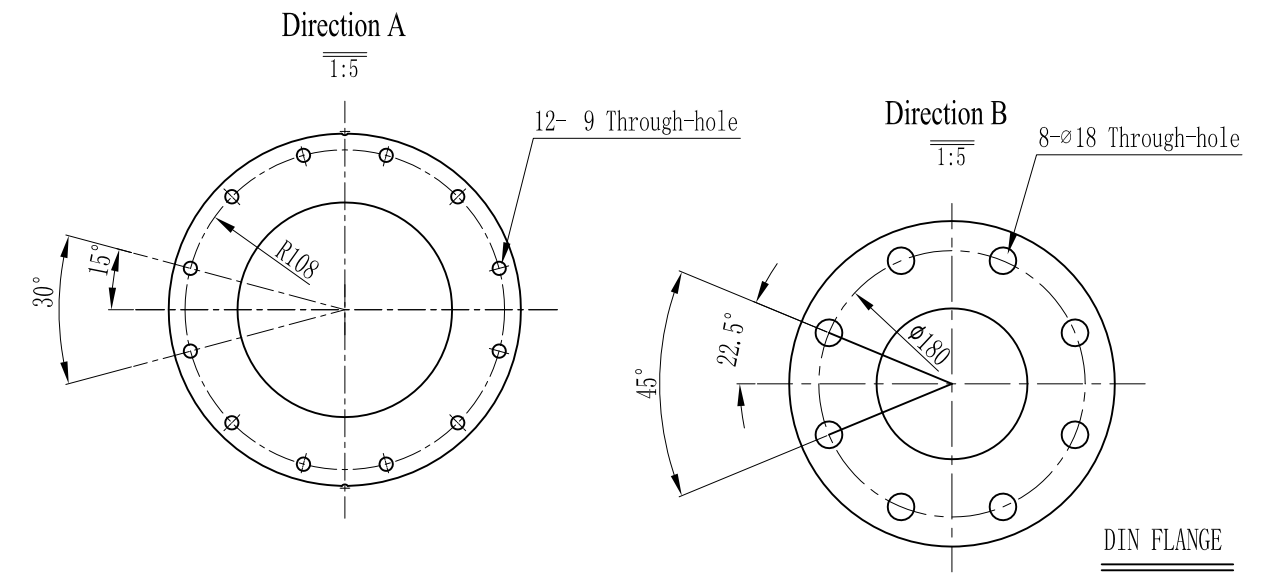
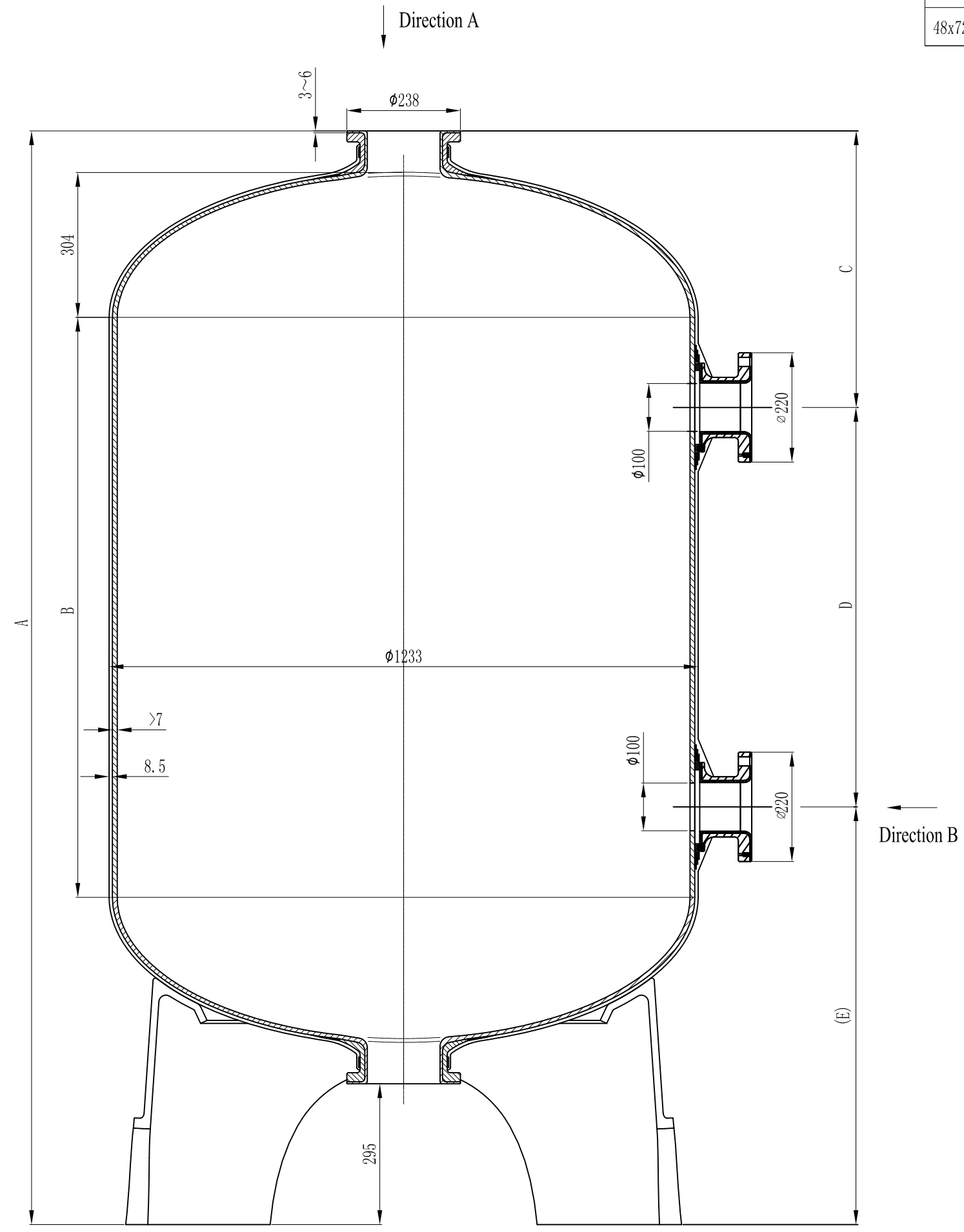


MODEL	VOLUME			DOME VOLUME			WEIGHT		A (mm)	B (mm)	C (mm)	D (mm)	(E) (mm)
	liters	U. S. gal	cubic FT	liters	U. S. gal	cubic FT	Kg	LBS					
48x72	1895	500.6	66.96	221.7	58.57	7.83	252.8	557.3	2399±15	1284	530	1043	(826)



- NOTES:
- TANK MUST MEET ALL APPLICABLE SPECIFICATIONS OF NSF/ANSI 044 STANDARD, LATEST REVISION.
  - OPERATING SPECIFICATIONS:
    - A. MAXIMUM WORKING PRESSURE - 150 PSI (10.5BAR)
    - B. TEMPERATURE RANGE - 34-150° F (1-65°C)
    - C. MAXIMUM VACUUM - 5"Hg (127mm Hg)
  - VISUAL LINER INSPECTION
    - A. NO MORE THAN 20 INTERNAL OR EXTERNAL BLEMISHES OR BURNT DEBRIS.
    - B. NO INTERNAL OR EXTERNAL BLEMISHES OR BURNT DEBRIS LARGER THAN 5×5mm.
    - C. NO INTERNAL BLEMISHES OR BURNT DEBRIS ALLOWED.
  - ALL GLASS STRANDS FROM FIBERGLASS LINER TO BE BONDED AND COVERED.
  - SURFACE TO BE FREE OF NICKS, SCRATCHES, RESIN AND GLASS.
  - SURFACE FINISH.
  - DIMENSIONS IN PARENTHESIS ARE REFERENCE ONLY.
  - TANK TO BE BONDED TO BASE.
  - USING A STANDARD LEVEL WITH TANK POSITIONED ON A LEVEL SURFACE, DATUM B TO BE PARALLEL WITH DATUM A. BUBBLE OF LEVEL MUST FALL COMPLETELY WITHIN LINES WHEN MEASURED AT 90° INTERVALS WHEN PLACED ON THE TOP OF THE FLANGE.
  - AFTER THE TANK IS LEVELED, IT IS RECOMMENDED THAT THE TANK BE BOLTED TO THE FLOOR IN SIX POSITIONS PER THE TRIPOD BASE BOLT HOLE PATTERN WITH 3/8" ANCHORS.

0	FIRST VERSION				
VERSION NO.	DESCRIPTION OF CHANGES:			SIGNATURE	DATE
REFERENTIAL PLASTIC SHRINKAGE (IF NECESSARY):					
SIGNATURE		<b>WAVE CYBER (SHANGHAI) CO., LTD.</b>			
NAME	DATE				
DESIGN	Jed Cao	2013.12.12	SCALE	MATERIAL	MODEL
INSPECTION	Tom Tang	2013.12.12	1 : 10		DESCRIPTION
APPROVAL	Tom Tang	2013.12.12	QUANTITY	SMOOTHNESS	48" FRP PRESSURE VESSEL (SIDE FLANGE OPENING)-(DIN)
THIS PRODUCT DRAWING CAN NOT BE COPIED AND/OR USED WITHOUT PRIOR WRITTEN APPROVAL OF WAVE CYBER.			PROJECTION	COMPUTER CODE	DRAWING NO.
					1104823-00
			DO NOT MEASURE THE DIMENSIONS.	UNIT: MM	TOTAL PAGE: 1