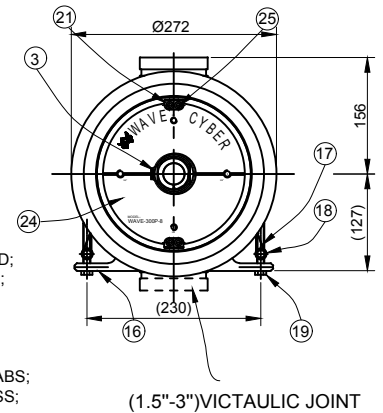


**WARNING!**  
 PRESSURE IN THE PERMEATE PORT SHALL NOT EXCEED 125 PSI (0.86MPa)

PERMEATE PORT  
 OPTION F----NPT 1" FEMALE THREAD;  
 OPTION G----Rp 1" FEMALE THREAD;  
 OPTION H---- UNION ADAPTOR;  
 FIT 32mm(O.D) PIPE  
 OPTION J----UNION ADAPTOR;  
 FIT 1.32"(O.D) PIPE  
 OPTION V----Mechanical Coupling 1"-ABS;  
 OPTION S----Mechanical Coupling 1"-SS;



(1.5"-3")VICTAULIC JOINT

- 1.Flexible piping should be used on permeate connection to manifold.
- 2.Side port misalignment can not exceed 0.7mm in any direction.
- 3.MPV is not designed for negative pressures.

SIDEPORT GASKET	23100-46-04		3"	20286
	27300-06-03		2.5"	20998
	27300-06-02		2"	20997
SIDEPORT SEAL	27300-06-01		1.5"	20978
	27450-26-02		3"	10710
	27300-04-03		2.5"	11591
SIDEPORT NUT	27300-04-02		2"	11590
	27300-04-01		1.5"	11571
	27300-05-04		3"	21108
	27300-05-03		2.5"	20996
	27300-05-02		2"	20995
SIDE PORT	27300-05-01		1.5"	20977
	23300-02-05-03	U	3"	20385
	27300-02-02-02	T	2.5"	21126
	27300-02-01-02	S	2"	21124
	27300-02-03-02	R	1.5"	21125
DESCRIPTION	DRAWING NO.	CODE	SIZE	COMPUTER CODE

BEARING PLATE	23300-09-01	ALUMINUM PLATE	20315	ASME CODE PRODUCT
300 PSI	23300-09	ALUMINUM STICK	20059	
DESCRIPTION	DRAWING NO.	MATERIAL	COMPUTER NO.	REMARK

PERMEATE PORT 300 PSI	23300-10-08	UF	VICTAULIC 1.5"	11519
	23300-10-09	N	NPT 1 1/2" MALE THREAD	11525
	23300-10-06	M	NPT 1 1/4" MALE THREAD	11513
	23300-10-05	S	MECHANICAL COUPLING 1"-SS	11494
	23300-10-05	V	MECHANICAL COUPLING 1"-ABS	11494
	23300-10-05	J	UNION ADAPTOR 1"(1.32")	11494
	23300-10-05	F	NPT 1" FEMALE THREAD	11494
	23300-10-05	G	Rp 1" FEMALE THREAD	11494
	23300-10-05	H	UNION ADAPTOR 1"(32mm)	11494
	DESCRIPTION	DRAWING NO.	CODE	PERMEATE PORT SPECS

SHELL Length Code	L Inch (mm)	P Inch (mm)	S Inch (mm)
-1	61.2 (1555)	47 (1194)	1@22 (550)
-1.5	81.2 (2063)	67 (1702)	1@42 (1067)
-2	101.2 (2571)	87 (2210)	1@56 (1422)
-3	141.2 (3587)	127 (3226)	1@80 (2032)
-4	181.2 (4603)	167 (4242)	2@64 (1626)
-5	221.2 (5619)	207 (5258)	2@78 (1981)
-6	261.2 (6635)	247 (6274)	2@92 (2337)
-7	301.2 (7651)	287 (7290)	2@106 (2692)
-7.5	321.2 (8159)	307 (7798)	2@114 (2896)
-8	341.2 (8667)	327 (8306)	2@120 (3048)

25	ALUMINUM PLATE LABEL		2	ADHESIVE LABEL	40232
24	LOGO LABEL		2	ADHESIVE LABEL	40225
23	SERIAL NO LABEL		1	ARTPAPER 20"53	40425
22	SCREW	GB819-85	8	M5*14 STAINLESS STEEL	20833
21	RETAINING BLOCK	23300-36-01	4	316	20183-1
20	STRAP PROTECTIVE JACKET	(23300-19)EC30-08-19	2or3	SOFT PVC	10188
19	STRAP SCREW		4or6	M5*90 STAINLESS STEEL	20129
18	STRAP NUT	(23300-18)EC30-08-18	4or6	Hb959-1	20123
17	STRAP	(23300-17)EC30-08-17	2or3	304	20123
16	SADDLE	(23300-16)EC30-08-16	2or3	LDPE	10141-1
15	EMBEDDED RING	(23300-15)EC30-08-15	2	316L	20072
14	ADAPTOR O RING	(23300-14)EC30-08-14	4	EPDM	10182
13	ADAPTOR(Ø29.1)	(23300-13)EC30-08-13	2	ABS	10125
12	RETAINING RING	(23300-12)EC30-08-12	2	316	20025
11	HEAD SEAL	23300-26	2	PP	10175
10	PERMEATE PORT(300PSI)	SEE "PERMEATE PORT CONFIGURATIONS"	2	PP	SEE THE CHART
9	BEARING PLATE	SEE "BEARING PLATE CONFIGURATIONS"	2	SEE "BEARING PLATE CONFIGURATIONS"	SEE THE CHART
8	PERMEATE PORT O RING	(23300-08)EC30-08-08	2	EPDM	10181
7	THRUST CONE	(23300-07)EC30-08-07	1	PP	10192
6	SIDE PORT GASKET	SEE "SIDE PORT CONFIGURATIONS"	2	304	SEE THE CHART
5	SIDE PORT SEAL	SEE "SIDE PORT CONFIGURATIONS"	2	EPDM	SEE THE CHART
4	PERMEATE RETAINING RING	(23300-03)EC30-08-03	2	316	20107
3	SIDE PORT NUT	SEE "SIDE PORT CONFIGURATIONS"	2	304	SEE THE CHART
2	SIDE PORT	SEE "SIDE PORT CONFIGURATIONS"	2	316	SEE THE CHART
1	SHELL	23300-01-05	1	FIBER GLASS + EPOXY	
ITEM	DESCRIPTION	DRAWING NO.	QTY	MATERIAL	COMPUTER CODE

- TECHNICAL REQUIREMENT
- 1.DESIGN PRESSURE 300PSI(2.1Mpa) ;
  - 2.DESIGN TEMPERATURE 150°F(65°C) ;
  - 3.MIN ALLOWABLE TEMPERATURE 20°F(7°C) ;
  - 4.WORKING MEDIUM,WATER pH RANGE 3-10;
  - 5.PLEASE OPERATE IN ACCORDANCE WITH USER MANUAL;
  - 6.SPARE PARTS FORM JUST FOR REFERENCE, SPECIFIC FORM OF THE SPARE PART DRAWING PREVAIL;
  - 7.SUBJECT TO CHANGE WITHOUT NOTICE.

REVISION	DESCRIPTION	SIGNATURE	DATA
REFERENTIAL PLASTIC SHRINKAGE (IF NECESSARY):	THE DIMENSIONS ARE FOR REFERENCE ONLY		
SIGNATURE		<b>WAVE CYBER (SHANGHAI) CO., LTD.</b>	
DESIGN	SCALE	MATERIAL	MODEL WAVE-300P-8
INSPECTION	1:7		DESCRIPTION 300P-8 MEMBRANE HOUSING (Hi-Flo)
APPROVAL	QUANTITY	SMOOTHNESS	
THIS PRODUCT DRAWING CAN NOT BE COPIED AND/OR USED WITHOUT PRIOR WRITTEN APPROVAL OF WAVE CYBER.		PROJECTION	DRAWING NO. 23300-00-01-01
		COMPUTER CODE	VERSION NO. 1
DO NOT MEASURE THE DIMENSIONS.		UNIT: MM	TOTAL PAGE: 1